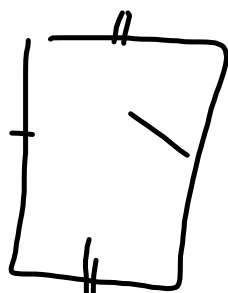
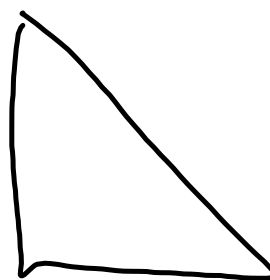


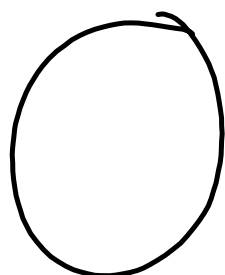
$$A_{\square} = x^2$$



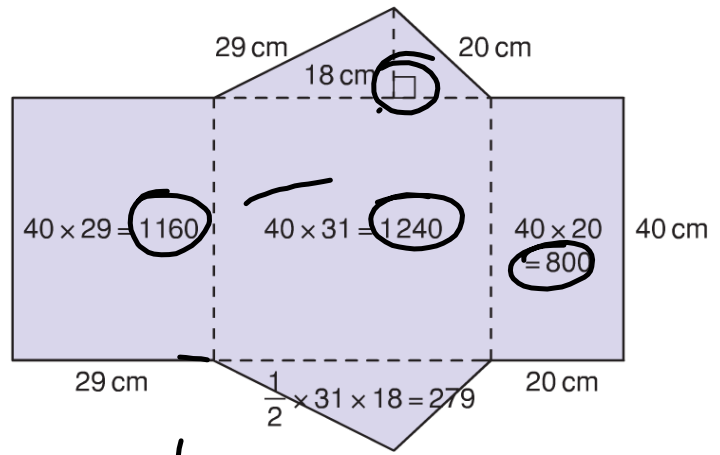
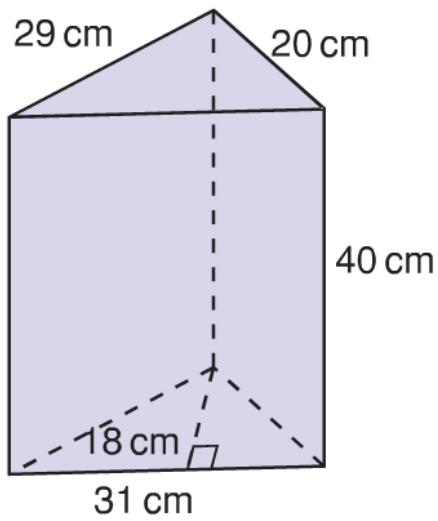
$$A_{\square} = bh$$



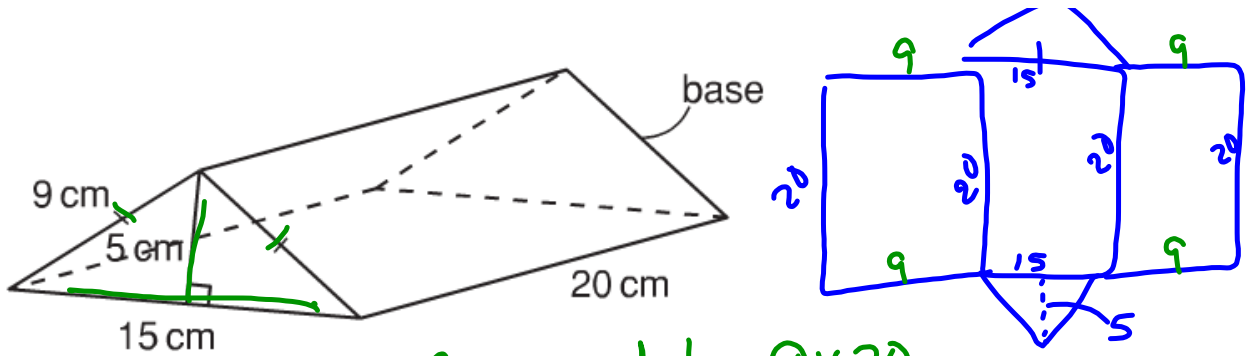
$$A_{\Delta} = \frac{bh}{2} = \frac{1}{2}bh$$



$$A_{\circ} = \pi r r = \pi r^2$$



$$\begin{array}{r}
 1160 \\
 1240 \\
 800 \\
 279 \\
 279 \\
 \hline
 3758 \text{ cm}^2
 \end{array}$$



$$A_{\square} = bh = 9 \times 20 = 180$$

$$A_{\square_2} = bh = 20 \times 15 = 300$$

$$A_{\square} = bh = 9 \times 20 = 180$$

$$A_{\Delta} = \frac{bh}{2} = \frac{15(5)}{2} = \frac{75}{2} = 37.5$$

(75) / 2 = 37.5
↳ j'ai besoin 2Δ

$$\begin{array}{r} 180 \\ 300 \\ 180 \\ 75 \\ \hline 735 \text{ cm}^2 \end{array}$$

P. 194
Q3 a & B